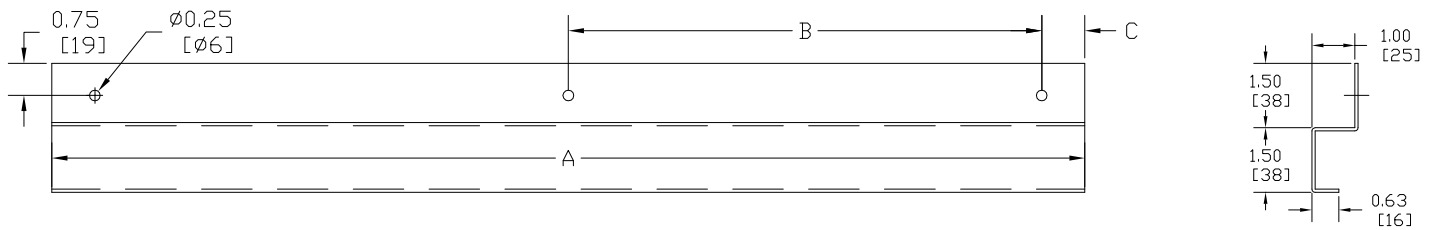
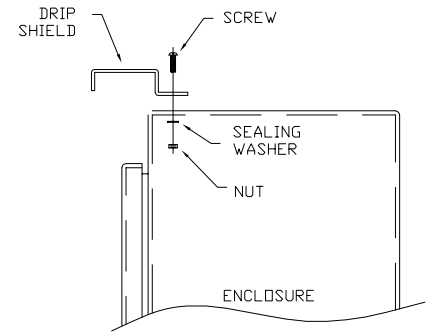


DRIP SHIELD KIT



SCE DRIP SHIELD MATERIALS LIST

PART #	A	B	C	# HOLES	S.S. 10-32 X 0.50 PAN HEAD MACHINE SCREW	SEALING WASHER FOR 10-32	10-32 KEPS NUT
SCE-DS12N4	12.00 [305]	10.00 [254]	1.00 [25]	2	2	2	2
SCE-DS16N4	16.00 [406]	7.00 [178]	1.00 [25]	3	3	3	3
SCE-DS20N4	20.00 [508]	9.00 [229]	1.00 [25]	3	3	3	3
SCE-DS24N4	24.00 [610]	7.25 [184]	4.75 [121]	3	3	3	3
SCE-DS30N4	30.00 [762]	6.83 [174]	4.75 [121]	4	4	4	4
SCE-DS36N4	36.00 [914]	8.83 [224]	4.75 [121]	4	4	4	4
SCE-DS42N4	42.00 [1067]	8.13 [206]	4.75 [121]	5	5	5	5
SCE-DS48N4	48.00 [1219]	9.63 [244]	4.75 [121]	5	5	5	5
SCE-DS60N4	60.00 [1524]	10.10 [257]	4.75 [121]	6	6	6	6
SCE-DS72N4	72.00 [1829]	8.93 [227]	4.75 [121]	8	8	8	8



SCE STAINLESS STEEL DRIP SHIELD MATERIALS LIST

PART #	A	B	C	# HOLES	S.S. 10-32 X 0.50 PAN HEAD MACHINE SCREW	10-32 KEPS NUT	SEALING WASHER FOR 10-32
SCE-DS12SS	12.00 [305]	10.00 [254]	1.00 [25]	2	2	2	2
SCE-DS16SS	16.00 [406]	7.00 [178]	1.00 [25]	3	3	3	3
SCE-DS20SS	20.00 [508]	9.00 [229]	1.00 [25]	3	3	3	3
SCE-DS24SS	24.00 [610]	7.25 [184]	4.75 [121]	3	3	3	3
SCE-DS30SS	30.00 [762]	6.83 [174]	4.75 [121]	4	4	4	4
SCE-DS36SS	36.00 [914]	8.83 [224]	4.75 [121]	4	4	4	4
SCE-DS42SS	42.00 [1067]	8.13 [206]	4.75 [121]	5	5	5	5
SCE-DS48SS	48.00 [1219]	9.63 [244]	4.75 [121]	5	5	5	5
SCE-DS60SS	60.00 [1524]	10.10 [257]	4.75 [121]	6	6	6	6
SCE-DS72SS	72.00 [1829]	8.93 [227]	4.75 [121]	8	8	8	8



Provided / Distributed / Serviced By:
Aqua Technology Group
 Meters | Controls | Equipment | Service
www.aquatechnologygroup.com
 Phone: (800) 513-0990 | 1 (513) 258-1183
 Email: sales@aquatechnologygroup.com