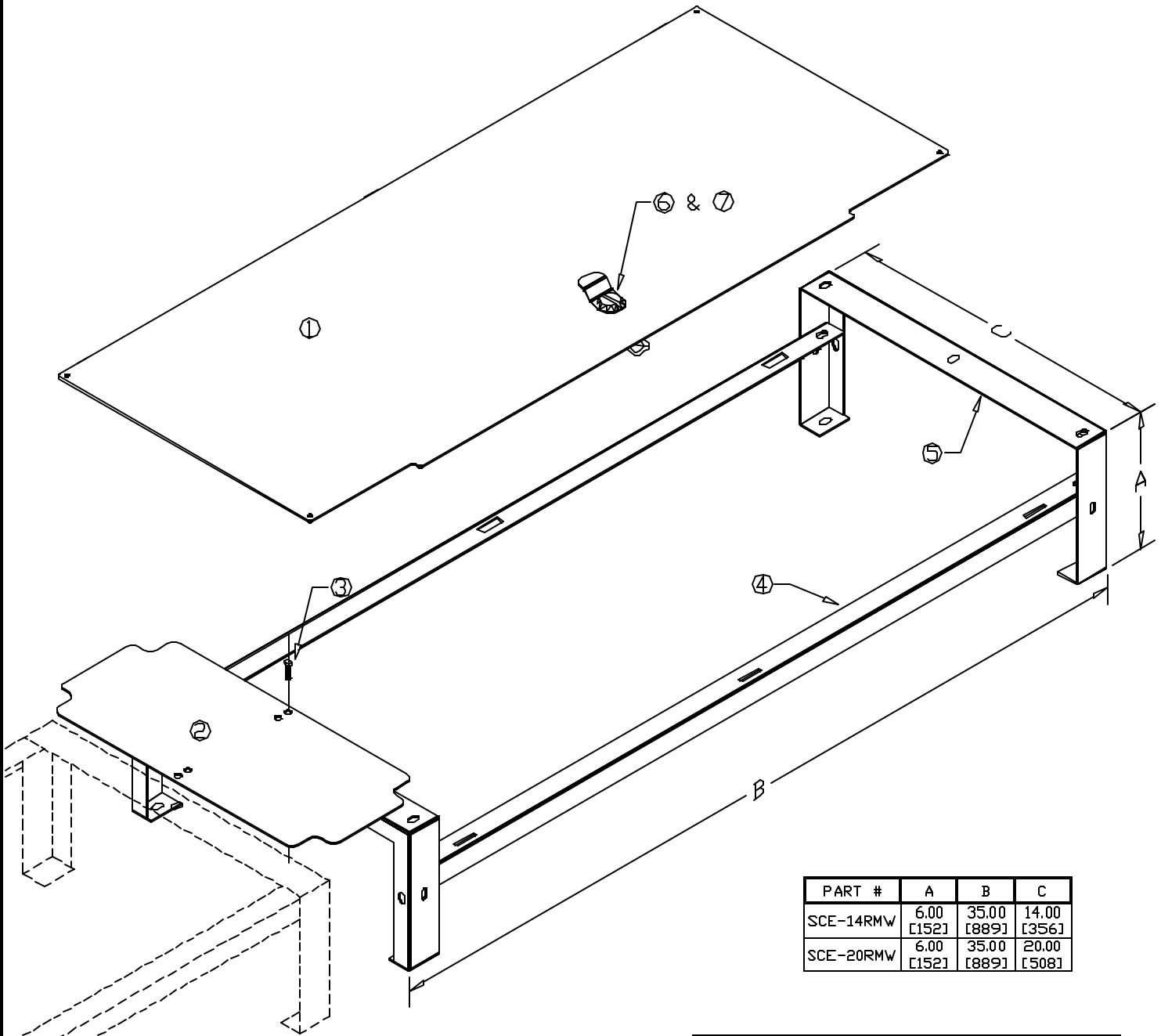


REMOVABLE WIRE COVER

SCE-14RMW
SCE-20RMW



PART #	A	B	C
SCE-14RMW	6.00 [152]	35.00 [889]	14.00 [356]
SCE-20RMW	6.00 [152]	35.00 [889]	20.00 [508]

INSTALLATION INSTRUCTIONS

1. ASSEMBLE FRAME.
2. INSTALL COVER BY INSERTING TABS INTO THE SLOTS ON REAR OF FRAME.
3. SPACER PLATE (ITEM 2) USED WHEN USING MORE THAN ONE WIRE COVER.

ITEM	SCE-14RMW	SCE-20RMW	QUANTITY
1	COVER 13.55 X 32.00	COVER 19.55 X 32.00	1
2	SPACER-PLATE 13.875 X 6.125	SPACER-PLATE 19.875 X 6.125	1
3	1/4-20 BOLTS	1/4-20 BOLTS	6
4	1 X 1 ANGLE 34.69 LONG	1 X 1 ANGLE 34.69 LONG	2
5	LEGS 6.00 X 14.00	LEGS 6.00 X 20.00	2
6-7	1/4 TURN FINGER PULL	1/4 TURN FINGER PULL	1 OF EACH



Provided / Distributed / Serviced By:

Aqua Technology Group
Meters | Controls | Equipment | Service
www.aquatechnologygroup.com
Phone: (800) 513-8993 | +1 (513) 298-1183
Email: sales@aquatechnologygroup.com

Made in the USA. 012