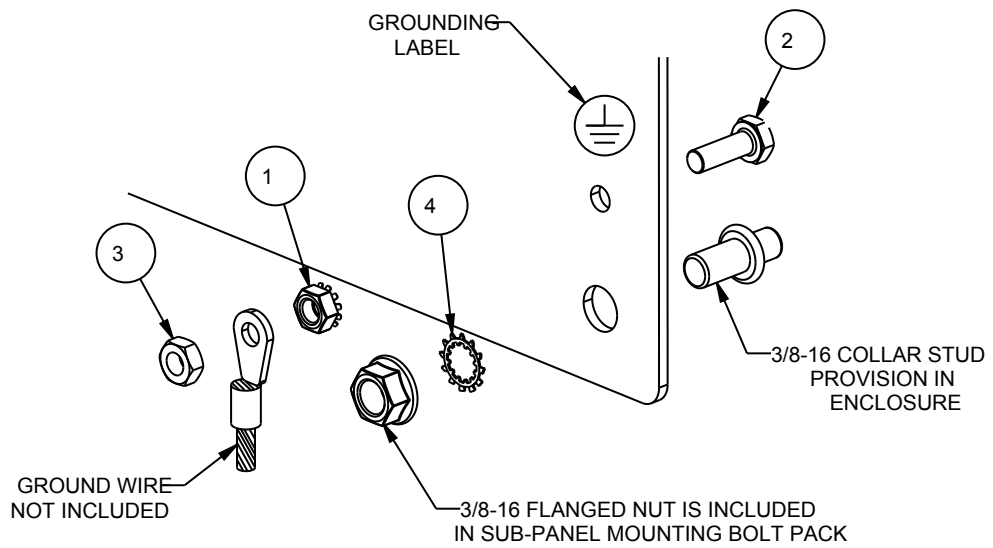
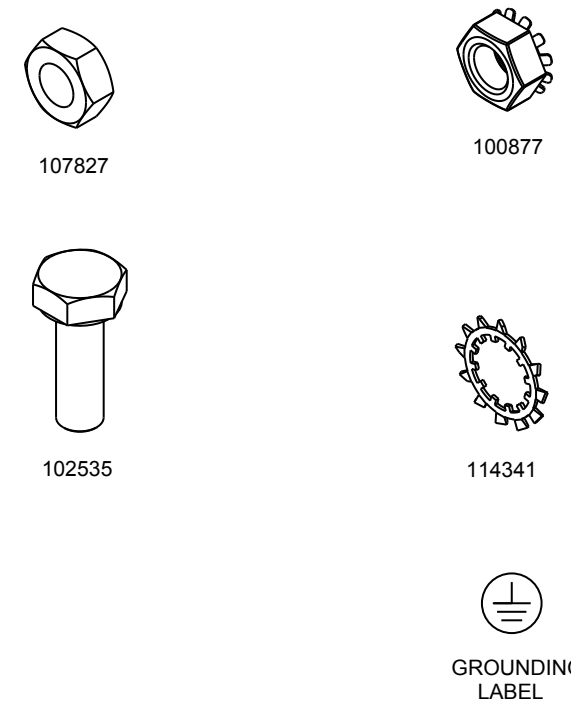


BILL OF MATERIAL

ITEM	QTY	PART DESCRIPTION	PART I.D.
1	1	Nut, Keps, 1/4-20, Steel, Zinc Clear	100877
2	1	Screw, Hex Head, Full Thread, 1/4-20 X 3/4", Steel, Zinc Clear	102535
3	1	Nut, Hex Full, 1/4-20, Steel, Zinc Clear	107827
4	1	Lock Washer, Internal, External Tooth, 3/8, Steel, Zinc	114341
5	1	Grounding Label	N/A



INSTALLATION VIEW



**102297
GROUNDING KIT**

SAGINAW CONTROL & ENGINEERING
ISO 9001:2000 Certified Company



Corporate Office:
95 Midland Road
Saginaw, Michigan 48638-5770
(989) 799-6871
Fax (989) 799-4524
(800) 234-6871
http://www.saginawcontrol.com
E-mail: scc@saginawcontrol.com

TITLE: 102297	Provided / Distributed / Serviced By: Aqua Technology Group	REV: --
SPECIFICATION: PURCHASED INSTALLATION	Meters Controls Equipment Service www.aquatechnologygroup.com Phone: (800) 513-6933 (513) 236-1183 Email: sales@aquatechnologygroup.com	
SHEET: 1 OF 1		