

# MECHANICAL DEFEATER (SCE-MDV) VARIABLE DEPTH DISCONNECTS.

## INSTALLATION INSTRUCTIONS

1. FEED THE CONNECTING ROD THROUGH THE HOLE IN THE BOTTOM OF THE MDV ROD BRKT. OR DISC. MTG. PLATE.
2. ADJUST THE WIDTH OF MDV IN FIGURE 3 USING ONE OF THE THREE ADJUSTMENT HOLES TO ADJUST TO THE WIDTH OF THE FLANGE. (SEE FIGURE 3)
3. INSTALL THE MECHANICAL DEFEATER TO THE 1/4-20 STUD PROVIDED ON THE INNER WALL OF THE DISCONNECT SIDE OF THE ENCLOSURE. MAKE SURE THE MECHANICAL DEFEATER IS POSITIONED SO THAT IT FITS TIGHT INTO THE CORNER OF THE FLANGE, AND IT IS ALIGNED WITH THE CENTER OF THE DOOR CAM.
4. INSTALL ITEM "A" ON THE CONNECTING ROD.
5. POSITION ITEM "A" SO THERE IS APPROXIMATELY 1/4" BETWEEN THE DISCONNECT DEFEATER AND THE INSIDE OF ITEM "A", (SEE FIGURE 1) ADJUST BY SLIDING ROD ON SHAFT SLEEVE ITEM "B". INSTALL SHAFT COLLAR ON ROD & TIGHTEN SET SCREW.
6. REMOVE THE EXCESS CONNECTING ROD ABOVE THE TOP OF ITEM "B" WITH WIRE CUTTERS, LEAVING APPROXIMATELY 1/2" FOR ADDITIONAL ADJUSTMENTS IF REQUIRED.
7. INSTALL THE DEFEATER HOOK ON THE DOOR AS SHOWN IN FIGURE 2.
8. TEST THE MECHANICAL DEFEATER BY TRYING TO TURN THE DISCONNECT OPERATOR HANDLE TO THE ON POSITION. THE OPERATOR HANDLE SHOULD NOT BE ALLOWED TO TURN ON UNTIL THE DOOR IS CLOSED AND HANDLE IS IN THE LATCHED POSITION.

SCE-125738 REQUIRED WHEN INSTALLING SIEMENS FLANGE MOUNTED DISCONNECT.

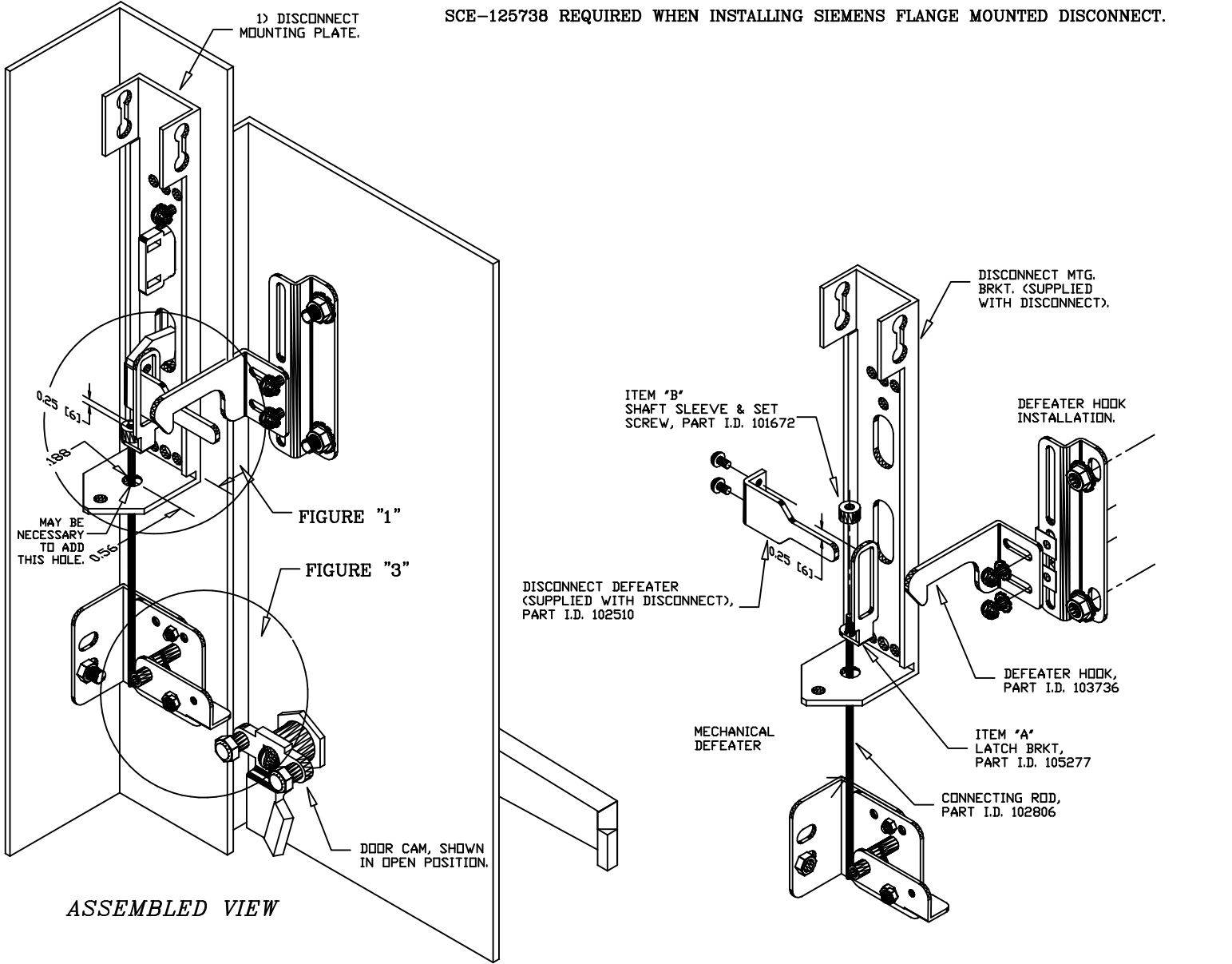


FIGURE "1"

FIGURE "3"

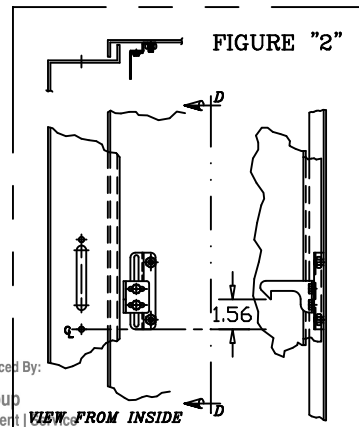
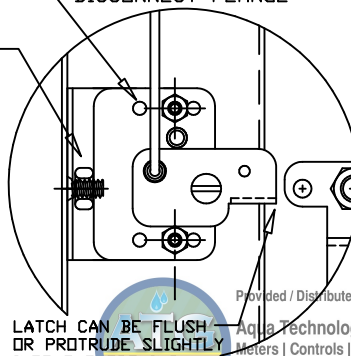
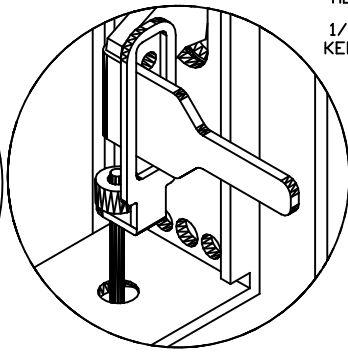
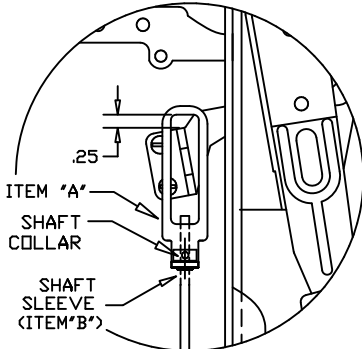
FIGURE "2"

SIDE VIEW OF DISCONNECT FLANGE

INSIDE VIEW OF DISCONNECT FLANGE

ADJUSTMENT HOLES

1/4-20 KEPNUT



Provided / Distributed / Serviced By:

Aqua Technology Group  
Meters | Controls | Equipment

www.aquatechnologygroup.com  
Phone: (800) 513-8993 | +1 (513) 298-7183  
Email: sales@aquatechnologygroup.com

Made in the U.S.A. 109