

Cutler-Hammer Flange Mounted Disconnects and Circuit Breakers

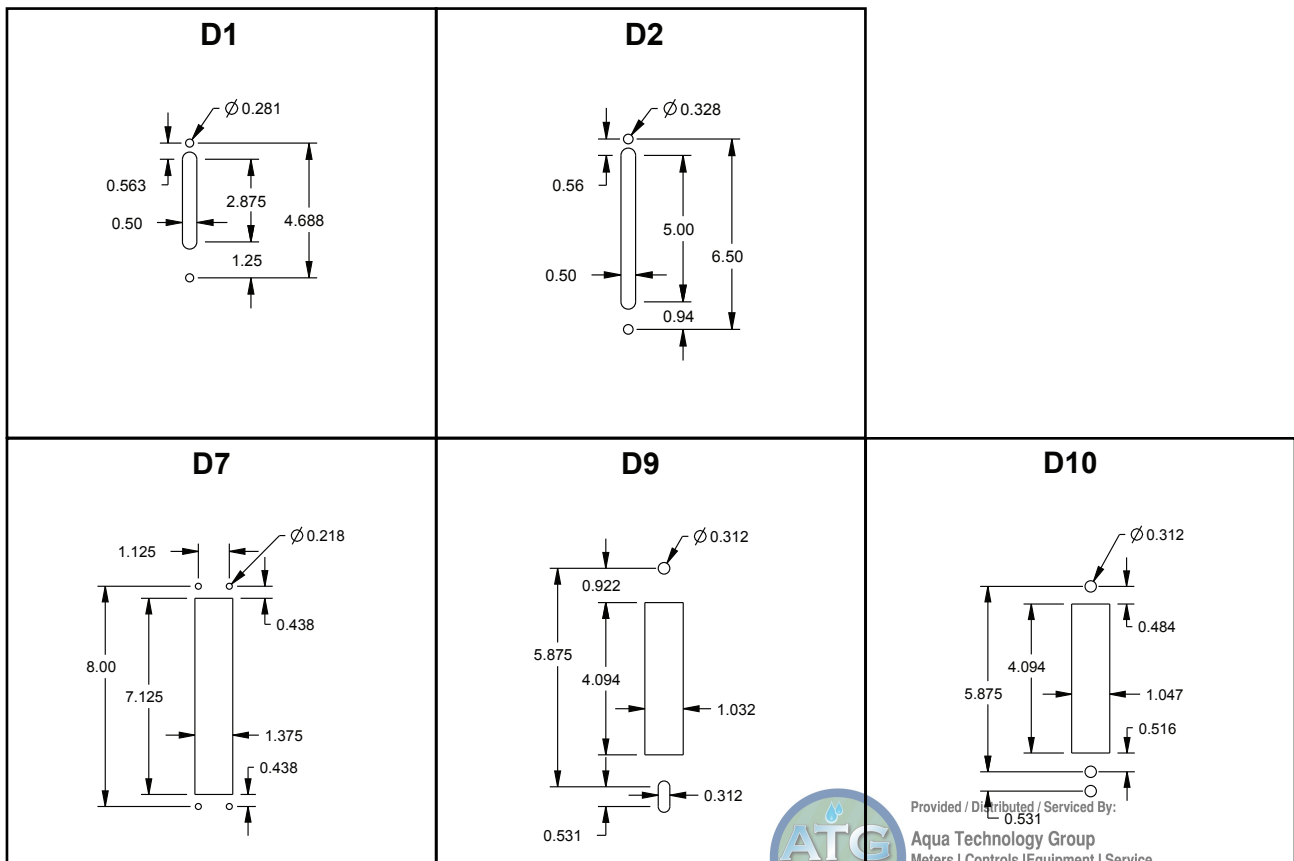
Flange Mounted Operator Handle and Operating Mechanisms, variable depth and cable operated. The D1 Cutout detail is the standard cutout in all Stock SCE enclosures.

*The exception is part numbers with the Letter *U* at the end (Example: SCE-84XM4018U), this indicates the Universal Cutout (D7).

Adapter Kits available for use with Universal cutout, for D2 cutout: SCE-UA400V and for D1 cutout: SCE-UAV.

Enclosures can be ordered with the specific cutout to fit your application through our CSE program.

HANDLE / OPERATOR	CUTOUT DETAIL
C361H1	D1
C361H2	D1
C361H3	D1
C361H4	D1
F0S03	D1
F0S04	D1
F0S05	D1
F1S03C	D1
FLEX SHAFT	D1
FLEX SHAFT CH	D1
LHMFS04	D1
SM150	D10
SM250	D9



Provided / Distributed / Serviced By:
 0.531
 Aqua Technology Group
 Meters | Controls | Equipment | Service
www.aquatechnologygroup.com
 Phone: (800) 513-8993 | +1 (513) 298-1183
 Email: sales@aquatechnologygroup.com