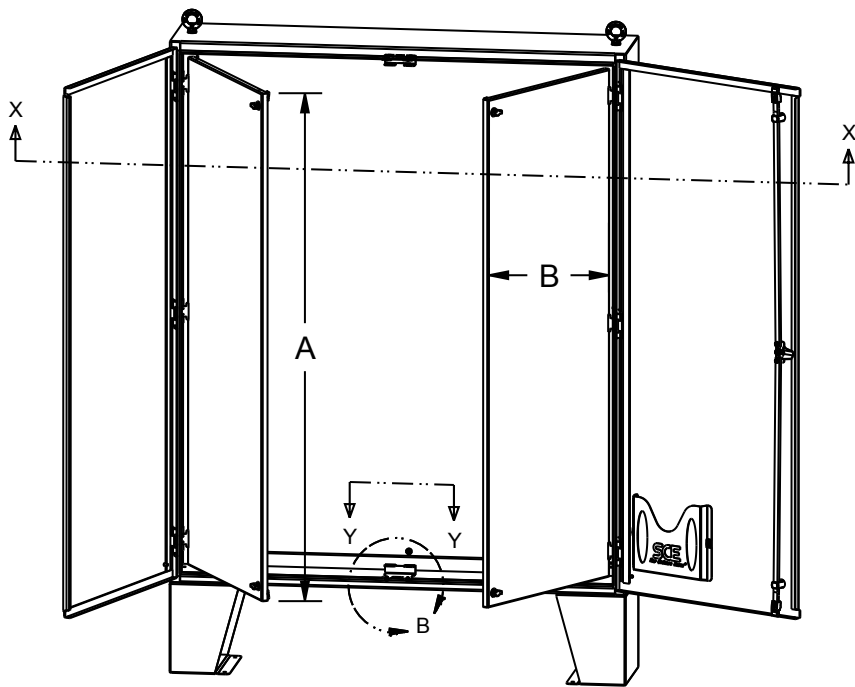
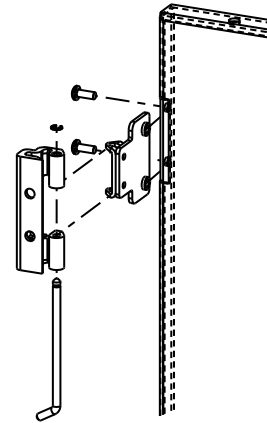


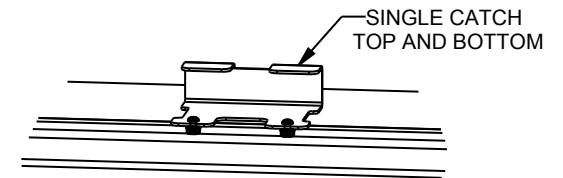
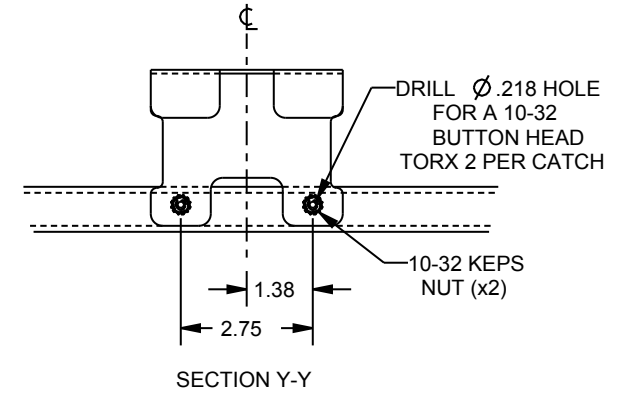
SAGINAW CONTROL & ENGINEERING DEAD FRONT, OVERLAPPING DOORS



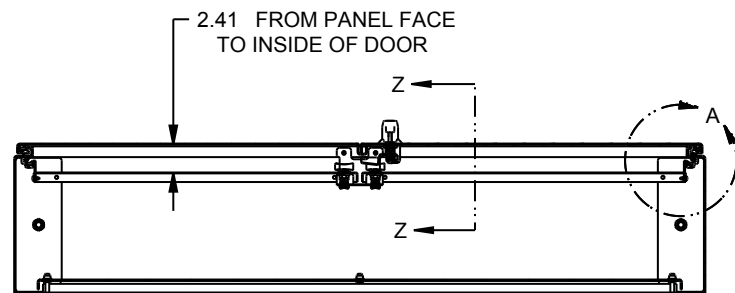
DEAD FRONT PANEL SIZE:
 $A = \text{OPENING HEIGHT} - 1.50"$
 $B = (\text{OPENING WIDTH} / 2) - 0.25"$



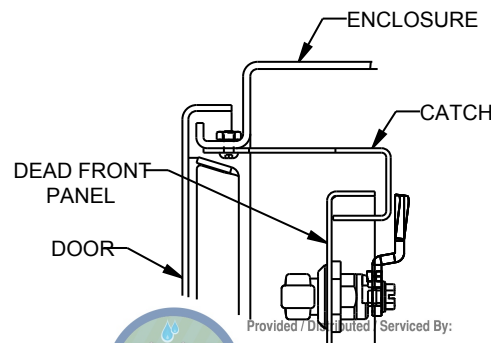
EXPLODED HINGE
DETAIL



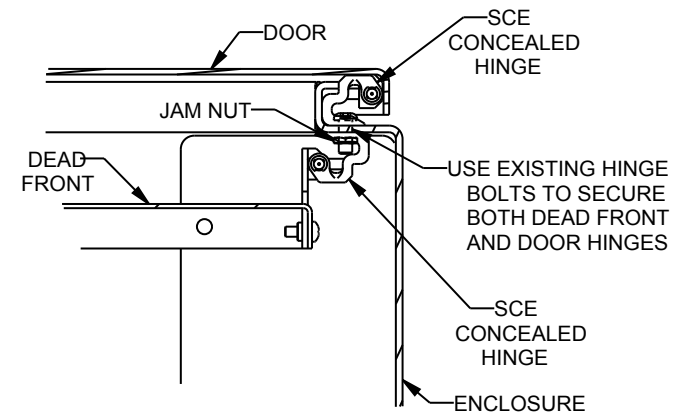
DETAIL B



VIEW SHOWN WITH THE
DOORS & DEAD FRONTS CLOSED
BOTTOM VIEW SECTION X-X



Provided / Distributed / Serviced By:
Aqua Technology Group
 Meters | Controls | Equipment | Service
www.aquattechnologygroup.com
 Phone: (800) 513-8993 | +1 (513) 298-1183
 Email: sales@aquatechnologygroup.com



DETAIL A