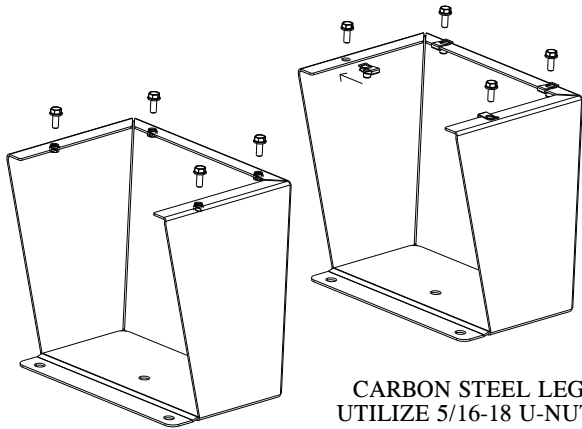
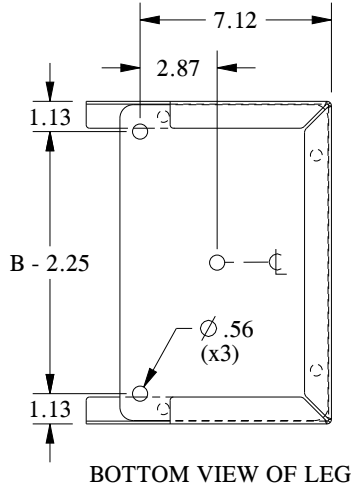
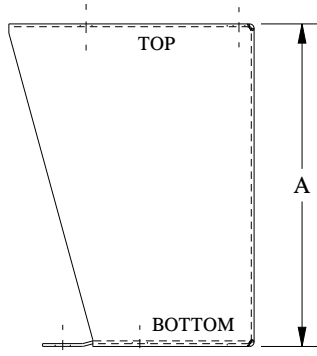
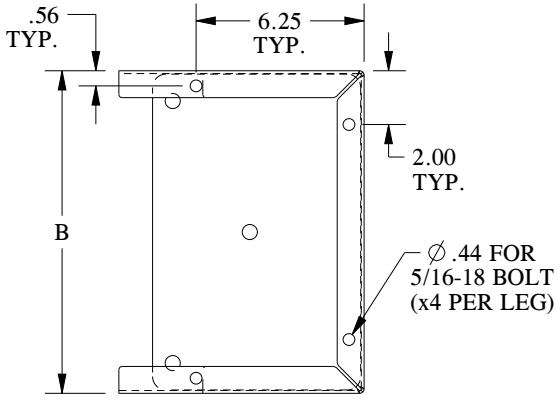


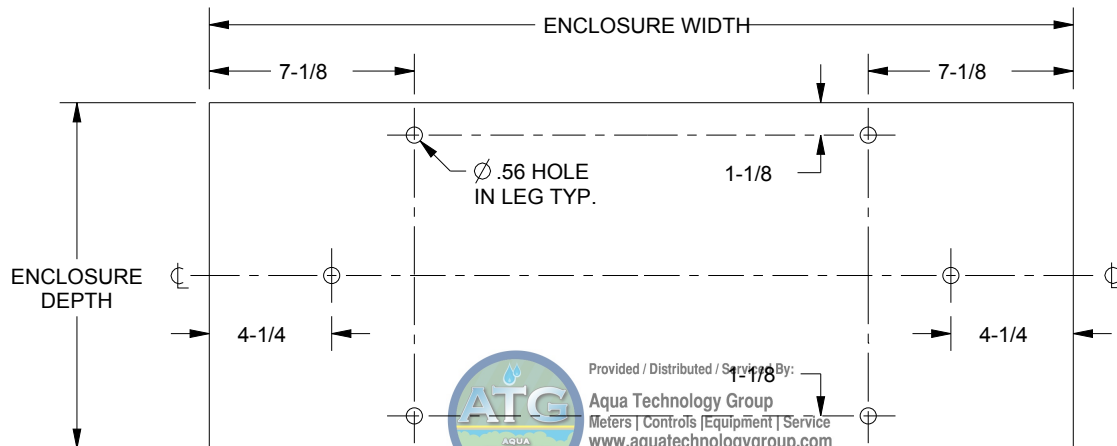
SCE FLOOR STAND



STAINLESS STEEL LEGS
HAVE 5/6-18 NUTS
PRESSED IN PLACE

PART #	A	B
SCE-FK0608	6.00	8.00
SCE-FK0610	6.00	10.00
SCE-FK0612	6.00	12.00
SCE-FK0618	6.00	18.00
SCE-FK0624	6.00	24.00
SCE-FK1208	12.00	8.00
SCE-FK1208SS	12.00	8.00
SCE-FK1210	12.00	10.00
SCE-FK1210SS	12.00	10.00
SCE-FK1212	12.00	12.00
SCE-FK1212SS	12.00	12.00
SCE-FK1216	12.00	16.00
SCE-FK1216SS	12.00	16.00
SCE-FK1218	12.00	18.00
SCE-FK1218SS	12.00	18.00
SCE-FK1220	12.00	20.00
SCE-FK1220SS	12.00	20.00
SCE-FK1224	12.00	24.00
SCE-FK1224SS	12.00	24.00
SCE-FK1512	15.00	12.00
SCE-FK1512SS	15.00	12.00
SCE-FK1516	15.00	
SCE-FK1518	15.00	18.00
SCE-FK1518SS	15.00	18.00
SCE-FK1524	15.00	24.00
SCE-FK1524SS	15.00	24.00
SCE-FK1808	18.00	8.00
SCE-FK1810	18.00	10.00
SCE-FK1812	18.00	12.00
SCE-FK1816	18.00	16.00
SCE-FK1824	18.00	24.00
SCE-FK2410SS	24.00	10.00
SCE-FK2412SS	24.00	12.00

FLOOR LAYOUT



Provided / Distributed / Serviced By:
Aqua Technology Group
 Meters | Controls | Equipment | Service
www.aquatechnologygroup.com
 Phone: (800) 513-8993 | +1 (513) 298-1114
 Email: sales@aquatechnologygroup.com