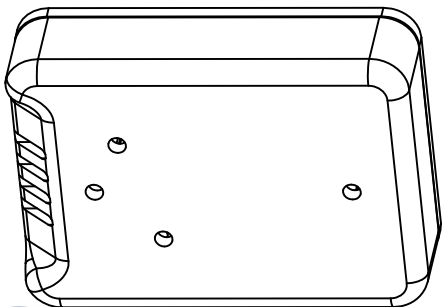
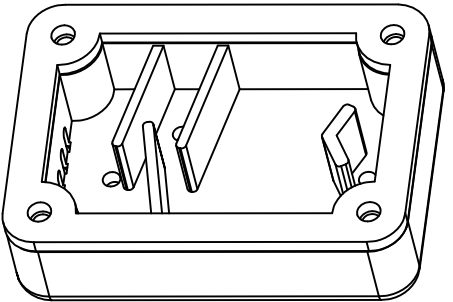
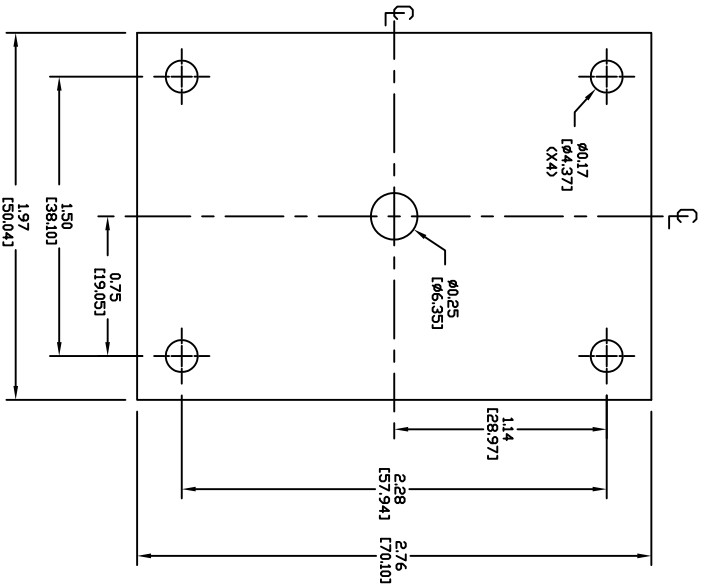


SCE-DV4XKIT

1. Drain vent should be mounted to the outside surface on or near the bottom of the enclosure.
2. Drill holes per drawing labeled SCE-DV4XKIT.
3. Enclosure surface should be clean and free of burrs and fiber pull outs.
4. Assemble to enclosure using EPDM gasket and screws that are provided.



Provided / Distributed / Serviced By:



Aqua Technology Group
Meters | Controls | Equipment | Service
www.aquatechnologygroup.com
Phone: (800) 513-8993 | +1 (513) 298-1183
Email: sales@aquatechnologygroup.com

SCE-BV4XKIT

1. Air vent should be mounted to the outside surface near the top of the enclosure.
2. Drill hole per drawing labeled SCE-BV4XKIT.
3. Enclosure surface should be clean and free of burrs and fiber pull outs.
4. Assemble to enclosure using round EPDM gasket and nut that is provided.

