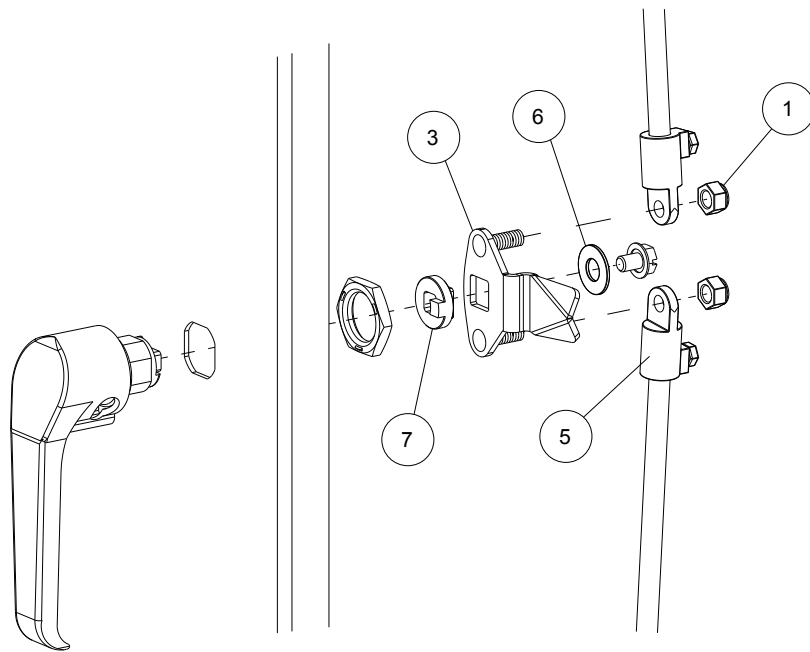


SCE-3PTL 3-POINT LATCH KIT BILL OF MATERIAL

ITEM	QTY	PART DESCRIPTION	PART I.D.
1	2	Nut, Lock, Nylon Insert, 1/4-20, Steel, Zinc Clear	100879
2	2	Door Rod, 8mm Round Rod w/Rollers, 1200mm, Steel, Zinc	101380
3	1	Cam, 3 Point, Dual, Small Door Center, Steel, Zinc Clear	102232
4	2	Rod Guide, 1/4 Turn Mtg. Guide For Round Rod, Steel, Zinc	102253
5	2	Adapter, 0.312 Rnd Rod, Zinc Die Cast, with Screw	102643
6	1	Washer, Flat, 0.31 in, 0.75 O.D. x 0.34 I.D., Stainless	105004
7	1	Door Center Adapter with Stop, 0.79 x 0.25, Zinc Die Cast	116470

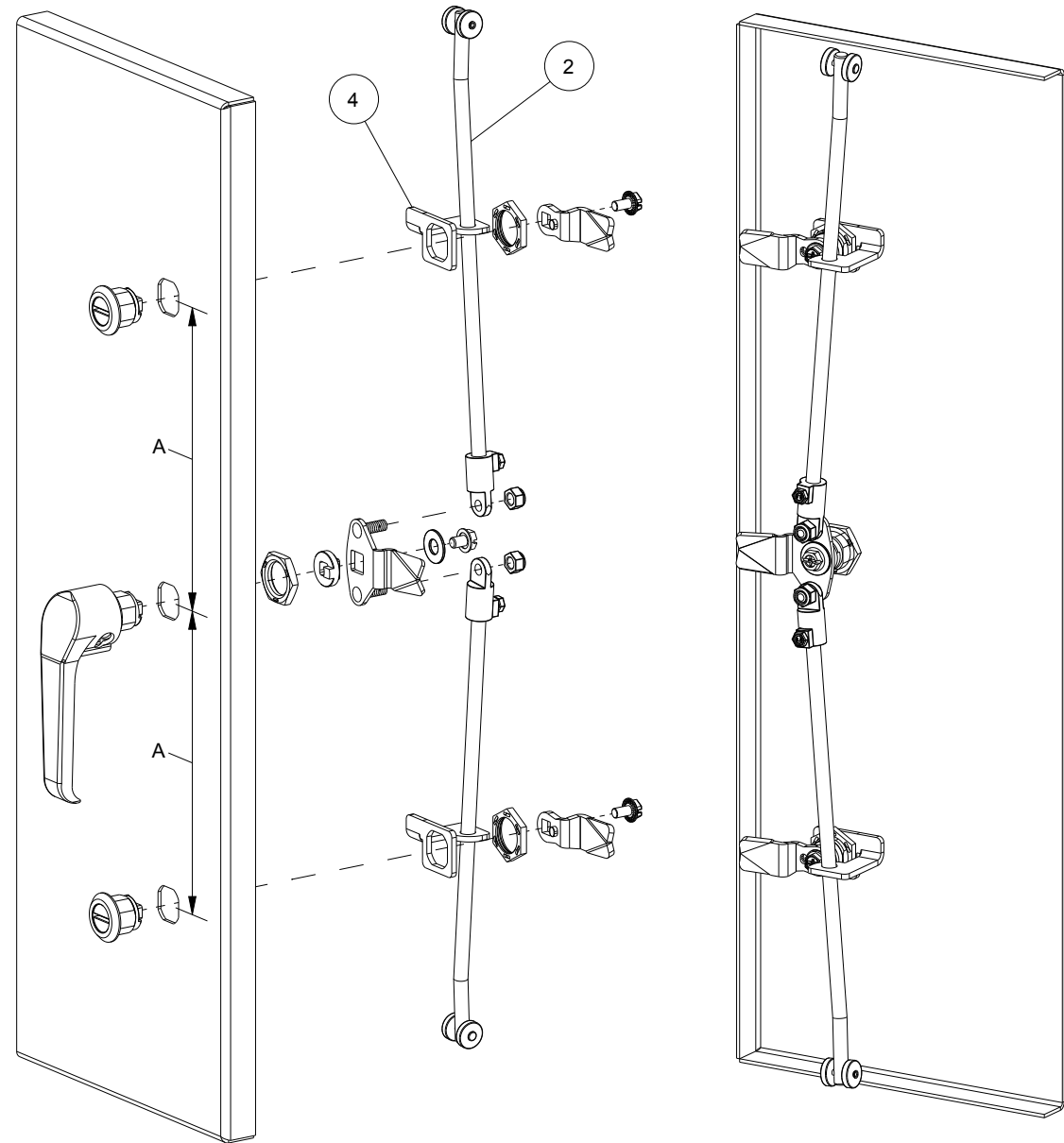


INSTALLATION INSTRUCTIONS:

1. MEASURE THE DISTANCE BETWEEN THE UPPER AND LOWER QUARTER TURN LATCHES AND THE CENTER LATCH OR HANDLE ON THE DOOR AS SHOWN. DIMENSION "A" + 3 5/8 EQUALS THE DOOR ROD LENGTH RECOMMENDED.
2. REMOVE THE MOUNTING NUTS FROM THE QUARTER TURN LATCHES.
3. INSERT DOOR ROD THROUGH THE ROD GUIDE AS SHOWN, INSERT THE ROD GUIDE ONTO QUARTER TURN LATCH AND RESECURE MOUNTING NUT.
4. INSTALL CENTER DOOR HANDLE OR LATCH AND INSTALL THE 3-POINT CAM.
5. INSTALL ENDS OF DOOR RODS INTO ROD ADAPTERS ON CAM AND TIGHTEN.

ALONG WITH ANY QUARTER TURN LATCH, THE FOLLOWING HANDLES MAY BE USED WITH SCE-3PTL HARDWARE (HANDLE TO BE ORDERED SEPERATELY)

SCE-ELKL	SCE-ELPL
SCE-PH5	SCE-PCH5
SCE-PCH5-7SC	SCE-PKH5
SCE-PH7	SCE-PCH7
SCE-PCH7-7SC	SCE-PKH7
SCE-SSPCH5	SCE-SSPH5
SCE-SSPKH5	



TITLE: SPEC-3PT-LATCH-KIT-INSTMAN	REV: 01
INSTALLATION, SCE-3PTL 3-POINT LATCH KIT	
SHEET: 1 OF 1	



Provided / Distributed / Serviced By:  
 Aquatech Technology Group  
 Meters | Controls | Equipment | Service  
 www.aquatechtechnologygroup.com  
 Phone: (800) 513-6993 | +1 (513) 298-1183  
 Email: sales@aquatechtechnologygroup.com

**SAGINAW CONTROL & ENGINEERING**  
 ISO 9001:2000 Certified Company



Your Enclosure Source®

Corporate Office:  
 95 Midland Road  
 Saginaw, Michigan 48638-5770  
 (989) 799-6871  
 Fax (989) 799-4524  
 (800) 234-6871  
<http://www.saginawcontrol.com>  
 E-mail: [sce@saginawcontrol.com](mailto:sce@saginawcontrol.com)