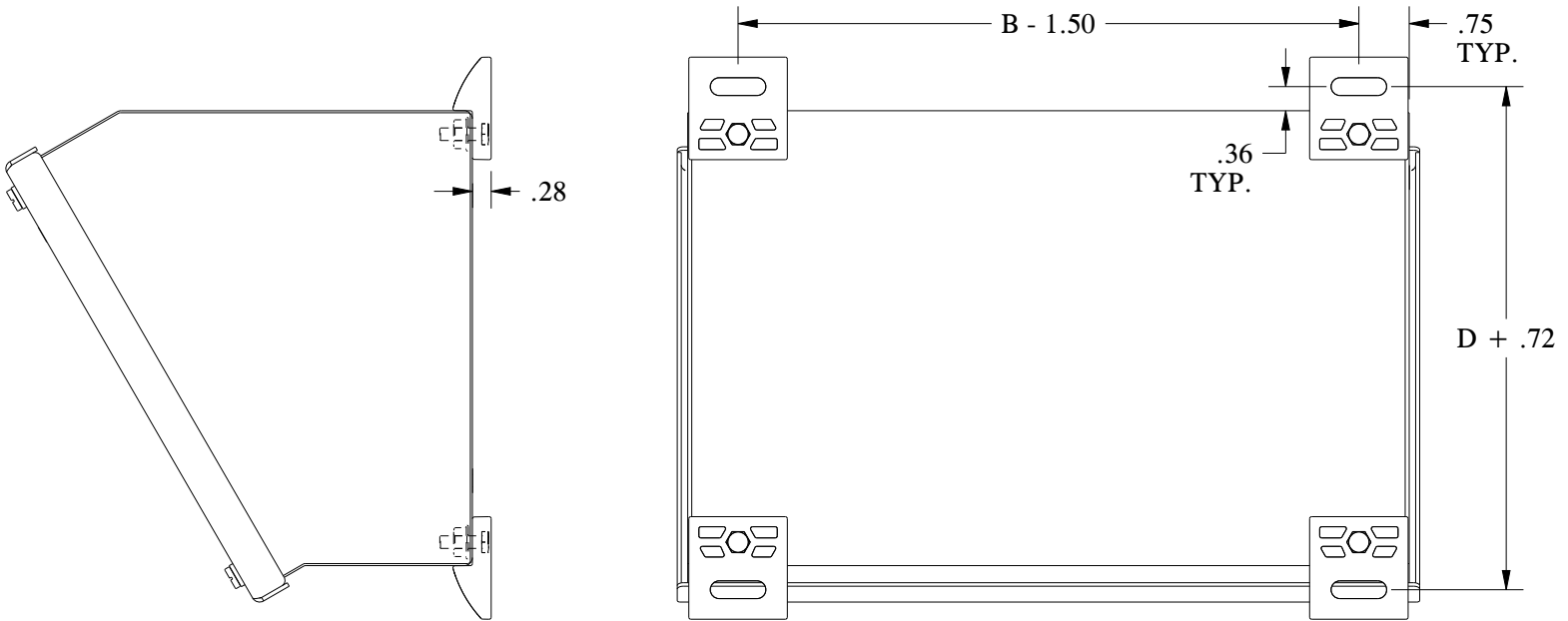
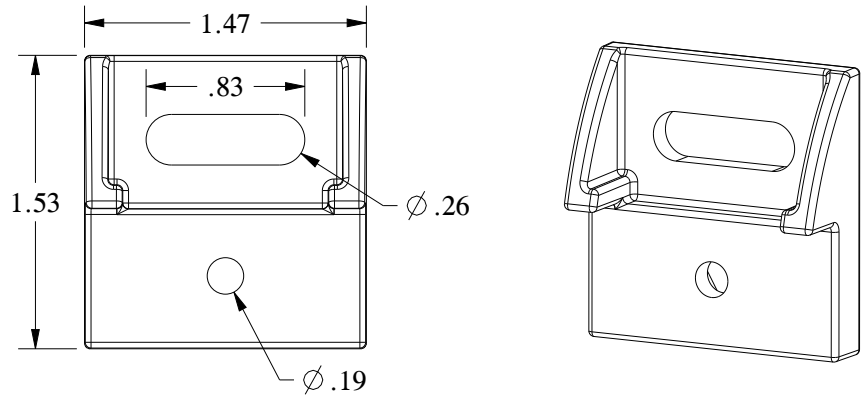


MOUNTING FOOT KIT FOR PBA / PBAI ENCLOSURES



Performance Characteristics 33% Glass Reinforced Nylon (Polyamide 66)	
Acetic Acid (Deluted)	Little Effect
Antifreeze	No Effect
Break Fluid	No Effect
Chlorine Water	Little Effect
Citric Acid (Deluted)	Little Effect
Cold	-40F
Corrosion Resistance	Excellent
Dark Cutting Oil Cutting Fluid	No Effect
Gasoline	No Effect
Heat Resistance	> 300F
Impact	Excellent
MEK	No Effect
Melting Point	504F
Motor Oil	No Effect
Sea Water	No Effect
Sulfuric Acid (Deluted)	Little Effect
UL 94	V-2
UV Resistance	Excellent
Weather Resistance	Excellent
Xylene	No Effect
Static Load	
SCE-ELJMFK	100 Lbs.



Provided / Distributed / Serviced By:
Aqua Technology Group
 Meters | Controls | Equipment | Service
www.aquatechnologygroup.com
 Phone: (800) 513-8993 | +1 (513) 298-1183
 Email: sales@aquatechnologygroup.com